

ACCESS CONTROL



STANDALONE ACCESS CONTROL KEYPAD

928



1

ACCESS CONTROL

DESCRIPTION

The **928** is a stand alone digital keypad designed to control access of a single entry point for facilities with up to 480 users. Each user is assigned a personal identification number (PIN). Keypad entry of a valid one- to six-digit code activates one or both of the output relays which releases an electric door lock.

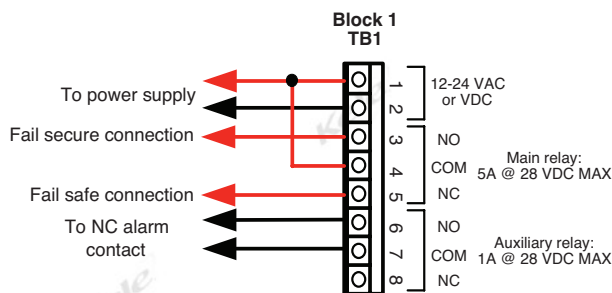
FEATURES

- Keypad programmable
- 480 user codes
- 1 to 6 digit user codes
- 4 independent timers
- Program entry codes to activate one or two relays
- Disable input
- Door sense input
- Request-to-exit/enter input
- Keypad tamper lockout

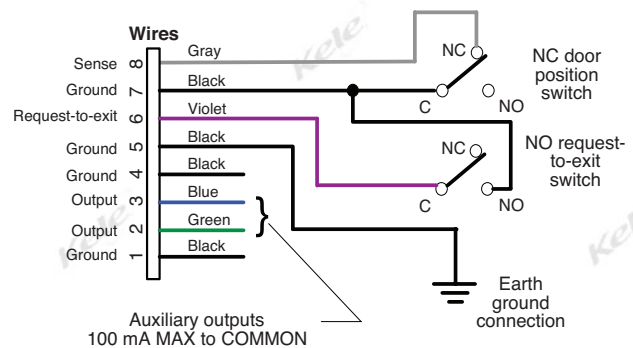


928

WIRING



- NOTES:
1. Alarm shunt set for auxiliary relay
 2. Gray wire set for door sense



CAUTION: If the unit is AC powered, make sure that the secondary system is isolated from earth ground.

SPECIFICATIONS

Supply Voltage	12/24 VDC or VAC	Operating Humidity	5 to 95% (non-condensing)
Battery	10mA typical, 150mA maximum	Dimensions	3"W x 5"H x 3"D (7.6 x 12.7 x 7.6 cm)
Contact Rating		Weight	2.5 lb (1.13 kg)
Relay 1	Form "C", 5 Amps @ 24VDC	Warranty	1 year
Relay 2	Form "C", 1 Amps @ 24VDC		
Outputs 3 & 4	Switch to common, 100mA @ 30VDC		
Operating Temperature	-20° to 130°F (-30° to 54°C)		

ORDERING INFORMATION

MODEL	DESCRIPTION
928	Stand-alone digital keypad